

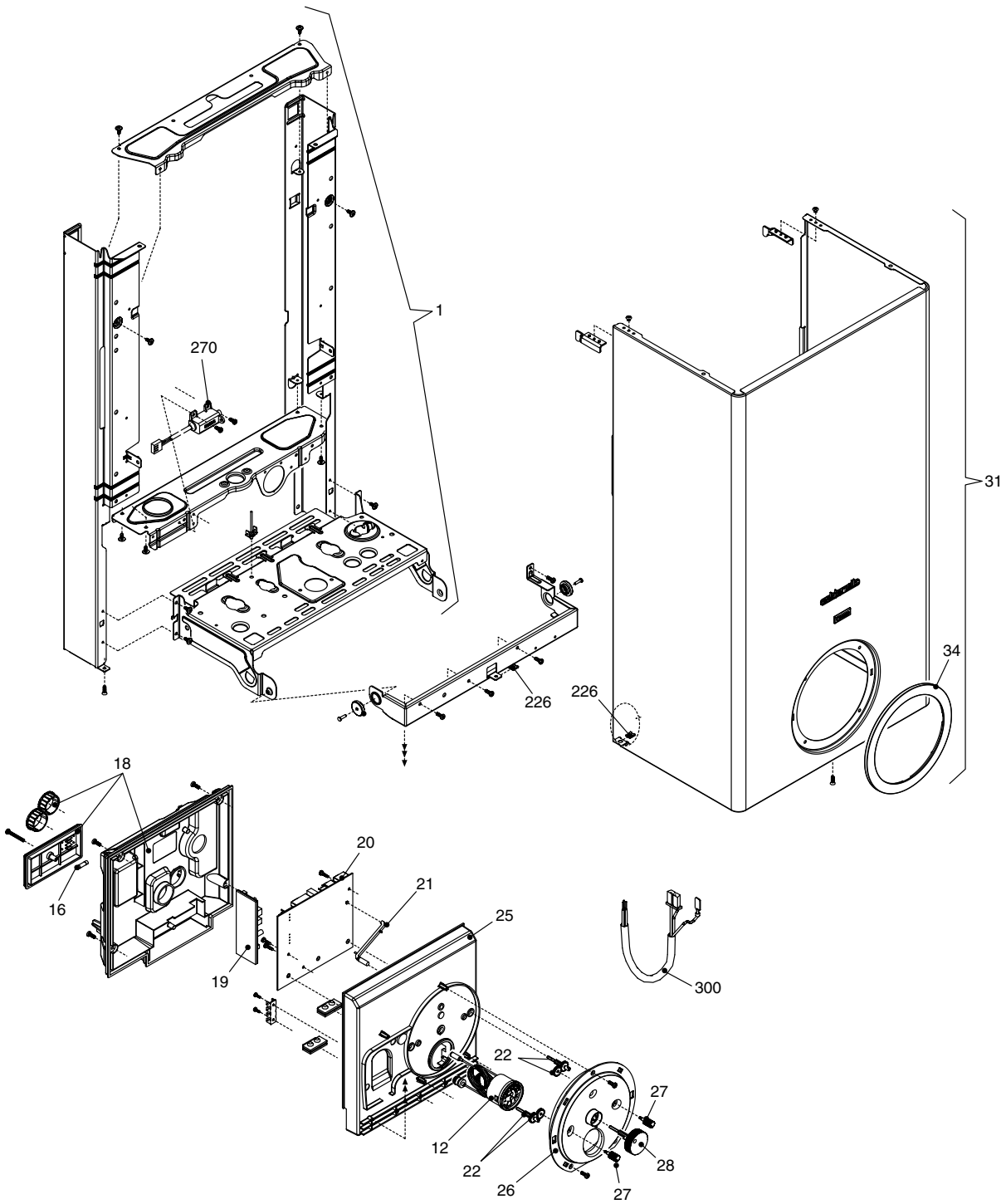


Wall hung boilers

Caldariello N

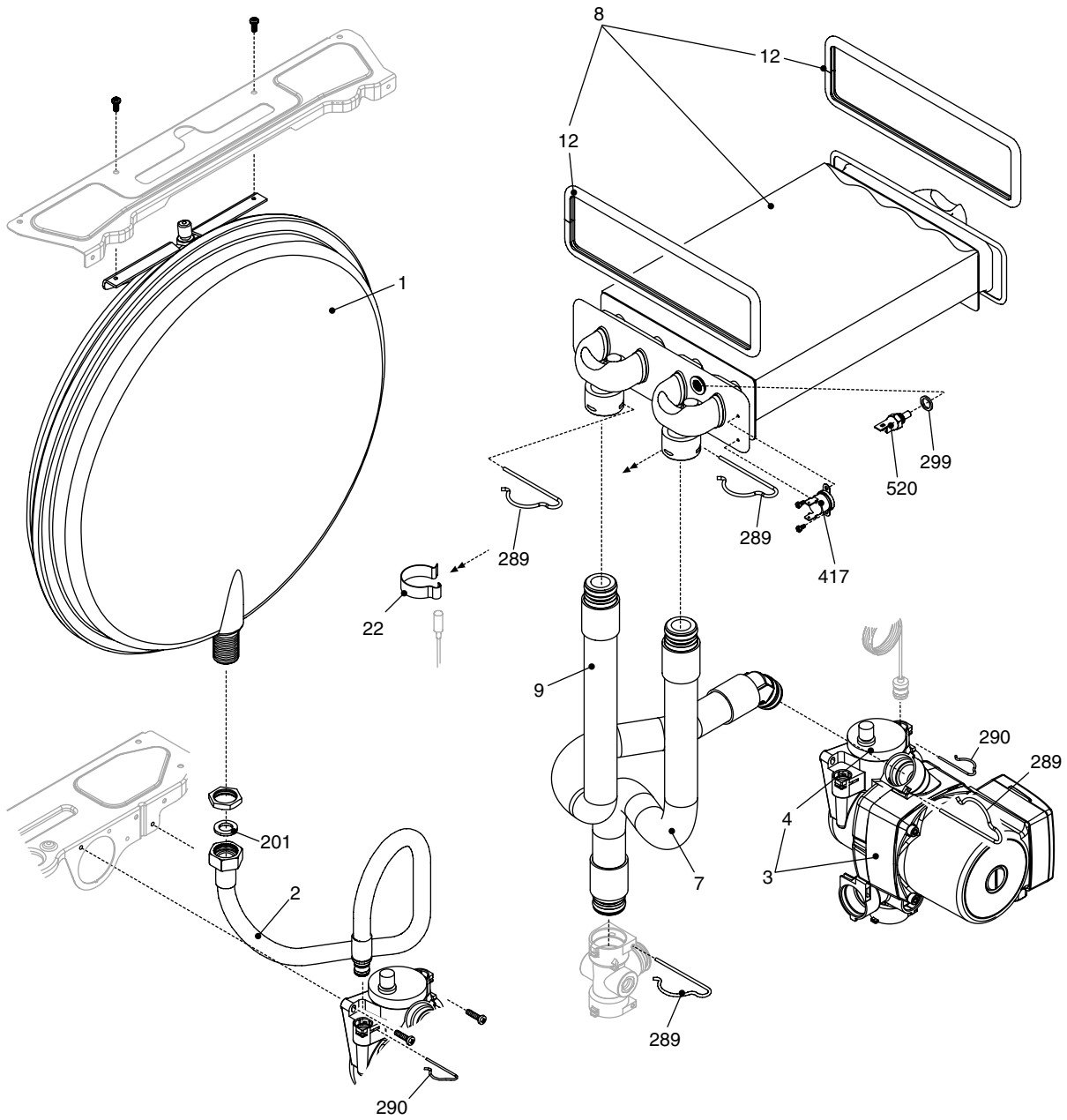


MODEL	PART NUMBER	
	NG	LPG
CALDARIELLO N 18 KIS N	2970133 (B6H)	-
CALDARIELLO N 24 KIS N	2970073 (A2K)	-
CALDARIELLO N 28 KIS N	2970083 (A3K)	-

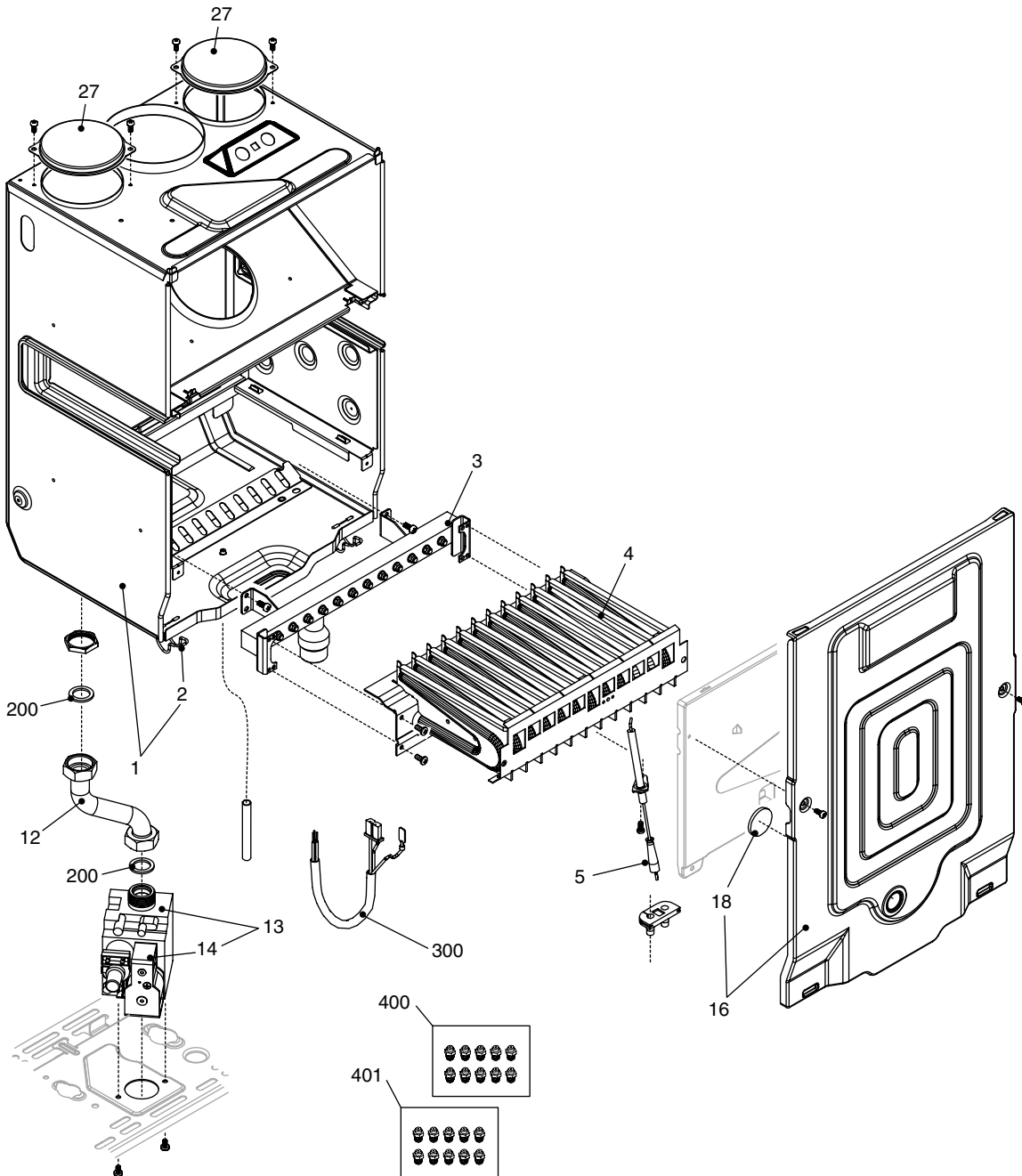


POS.	DESCRIPTION	18 KIS	24 KIS	28 KIS
1	Frame assembly	R01005319	R01005319	R01005399
12	Quick primer pressure gauge	R10026050	R10026050	R10026050
16	Fuse	R8968	R8968	R8968
18	Cover	R10029179	R10029179	R10029179
19	Ignition module	R10028890	R10028890	R10028890
20	Printed Circuit Board	R10023537	R10023537	R10023537
21	Led light guide	R10022417	R10022417	R10022417
22	Gear wheel	R10022424	R10022424	R10022424
25	Cover	R10023315	R10023315	R10023315
26	Instrumental panel	R10023317	R10023317	R10023317
27	Control knob	R10025425	R10025425	R10025425
28	Control knob	R10025424	R10025424	R10025424
31	Case	R01005412	R01005412	R01005322
34	Fixing flange	R10025177	R10025177	R10025177
226	Clip	R5128	R5128	R5128
270	Transformer	R10021272	R10021272	R10021272
300	Wiring harness	R10021407	R10021407	R10021407

POS.	DESCRIPTION	18 KIS	24 KIS	28 KIS
2	Connection	R10023988	R10023988	R10023988
3	Pressure switch	R10028141	R10028141	R10028141
7	Heating by-pass valve	R2047	R2047	R2047
8	Pipe	R2490	R2490	R2490
22	Safety valve	R2907	R2907	R2907
23	Connection	R10022499	R10022499	R10022499
24	Blue flow governor	R8008	R8009	R9430
25	Pipe	R10020695	R10020695	R10025202
26	DHW actuator	R10022752	R10022752	R10022752
31	Venting plugs kit	R01005137	R01005137	R01005137
35	Filling pipe	R10028119	R10028119	R10028119
36	Pipe	R10020696	R10020696	R10025203
38	Pipe	R10022708	R10022708	R10022708
39	Connection	R10022511	R10022511	R10022511
201	Washer	R5026	R5026	R5026
288	O-Ring	R6898	R6898	R6898
289	Clip	R2223	R2223	R2223
290	Clip	R2165	R2165	R2165
299	Washer	R10022726	R10022726	R10022726
300	Clip	R2222	R2222	R2222
301	Cap	R2261	R2261	R2261
303	Connection	R2217	R2217	R2217
367	O-Ring	R8542	R8542	R8542
520	NTC red sensor	R10027352	R10027352	R10027352
600	Wiring harness	R10025172	R10025172	R10025172



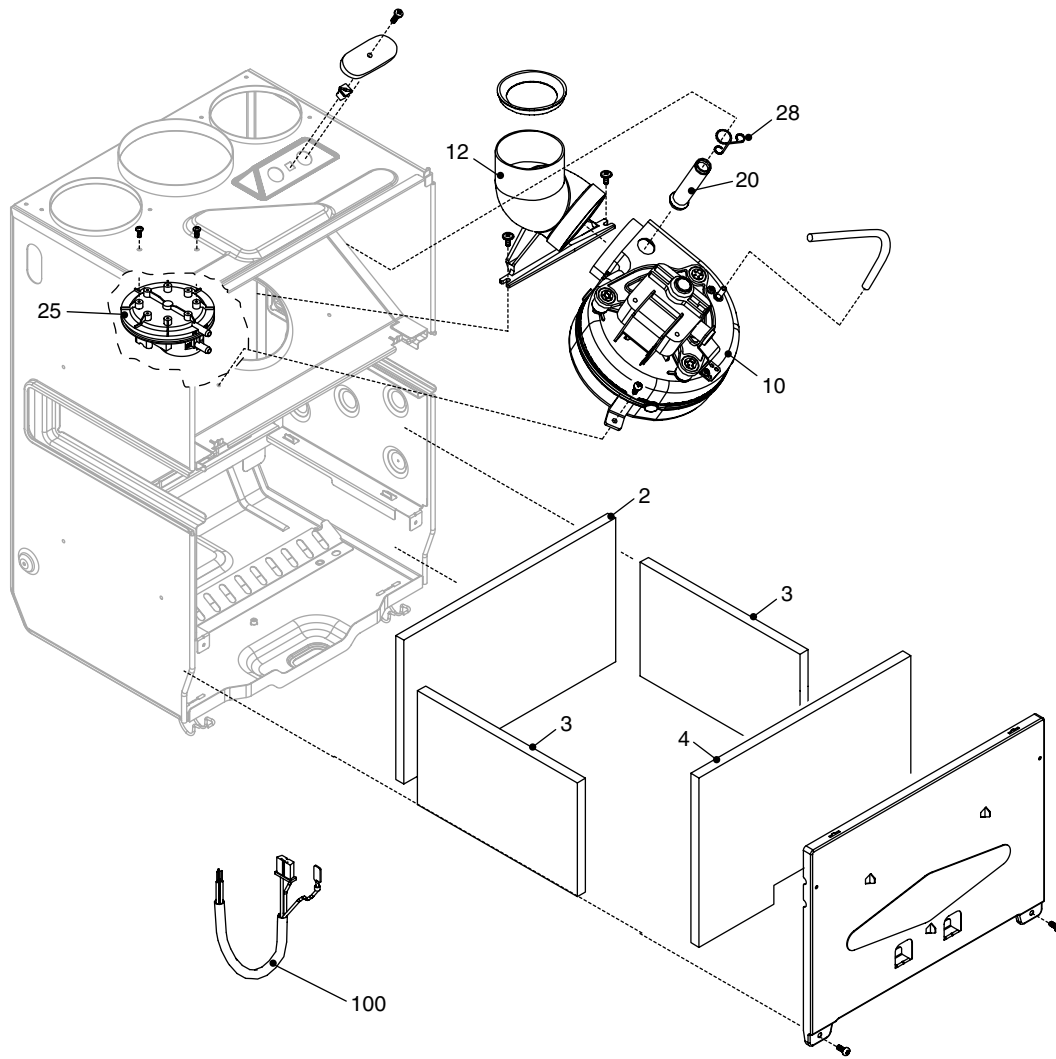
POS.	DESCRIPTION	18 KIS	24 KIS	28 KIS
1	Expansion vessel	R2204	R2204	R2204
2	Flexible pipe	R10023603	R10023603	R10023603
3	Circulation pump	R10027372	R10027372	R10027372
4	Air vent bottle	R0439	R0439	R0439
7	Pipe	R10022000	R10022000	R10022000
8	Heat exchanger	R10021419	R10021419	R10023661
9	Pipe	R10022003	R10022003	R10022004
12	Washer	R2226	R2226	R2226
22	Clip	R10026049	R10026049	R10026049
201	Washer 18,5 x 11	R10026049	R5026	R5026
289	Clip	R2223	R2223	R2223
290	Clip	R2165	R2165	R2165
299	Washer	R10022726	R10022726	R10022726
417	Limit thermostat	R10024710	R2258	R2258
520	NTC red sensor	R10027352	R10027352	R10027352



BURNER

Drawing 4

POS.	DESCRIPTION	18 KIS	24 KIS	28 KIS
1	Air box bottom	R10024669	R10024669	R10023904
2	Air box clip	R0442	R0442	R0442
3	main burner injector manifold	R10026944	R10025271	R10023902
4	Burner	R10023798	R10025270	R10023901
5	Spark electrode	R10025985	R10025985	R10025985
12	Gas pipe	R10024283	R10024283	R10024283
13	Gas valve	R10021021	R10021021	R10021021
14	Gas valve solenoid	R10020838	R10020838	R10020838
16	Air box cover	R10024779	R10024779	R10023928
18	Glass	R10021558	R10021558	R10021558
27	Hole cap	R10023805	R10023805	R10023805
200	Washer	R5023	R5023	R5023
300	Wiring harness	R10025171	R10025171	R10025171
400	N.G. conversion kit	R01005225	R01005225	R01005225
401	LPG conversion kit	R01005374	R01005297	R01005297



COMBUSTION COMPONENTS

Drawing 5

POS.	DESCRIPTION	18 KIS	24 KIS	28 KIS
2	Combustion chamber back panel	R2230	R2230	R10023909
3	Combustion chamber lateral panel	R2231	R2231	R2231
4	Combustion chamber front panel	R2232	R2232	R10023910
10	Fan	R10026946	R10020793	R10023907
12	Fan flue connection	R10021972	R10021972	R10021972
20	Combustion analysis check tube	R10021973	R10021973	R10021973
25	Pressure differential switch	R10023908	R01005272	R10023908
28	Clip	R10020626	R10020626	R10020626
100	Wiring harness	R10025173	R10025173	R10025173

REV.	DATA	DESCRIZIONE
1.0	07/08/06	Inserito modello 2970133 e modifiche varie



Riello reserve the right to change the specifications without prior notice.
Consumers' statutory rights are not affected.